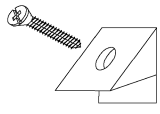

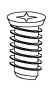
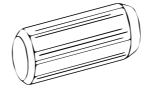



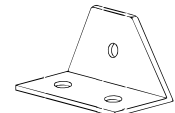




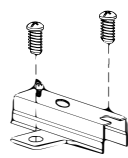
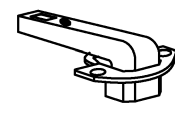
209015-09CF

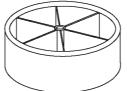
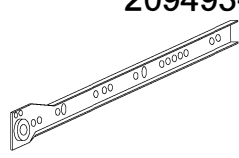
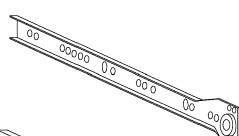

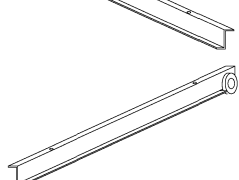
**F**  **M11** **L3516**  **3.5x16 mm.** **x18** **x8**  
 **6x11 mm.** **x8**



**B**  **8x30 mm.** **x24** **P** **L4530**  **4.5x30 mm.** **x6**  
 **x6**


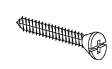
**C**  **ø16 mm.** **x12** **L418**  **4x18 mm.** **x36**

**D**  **x12** **P7**  **x12** **V760**  **7x60 mm.** **x4**

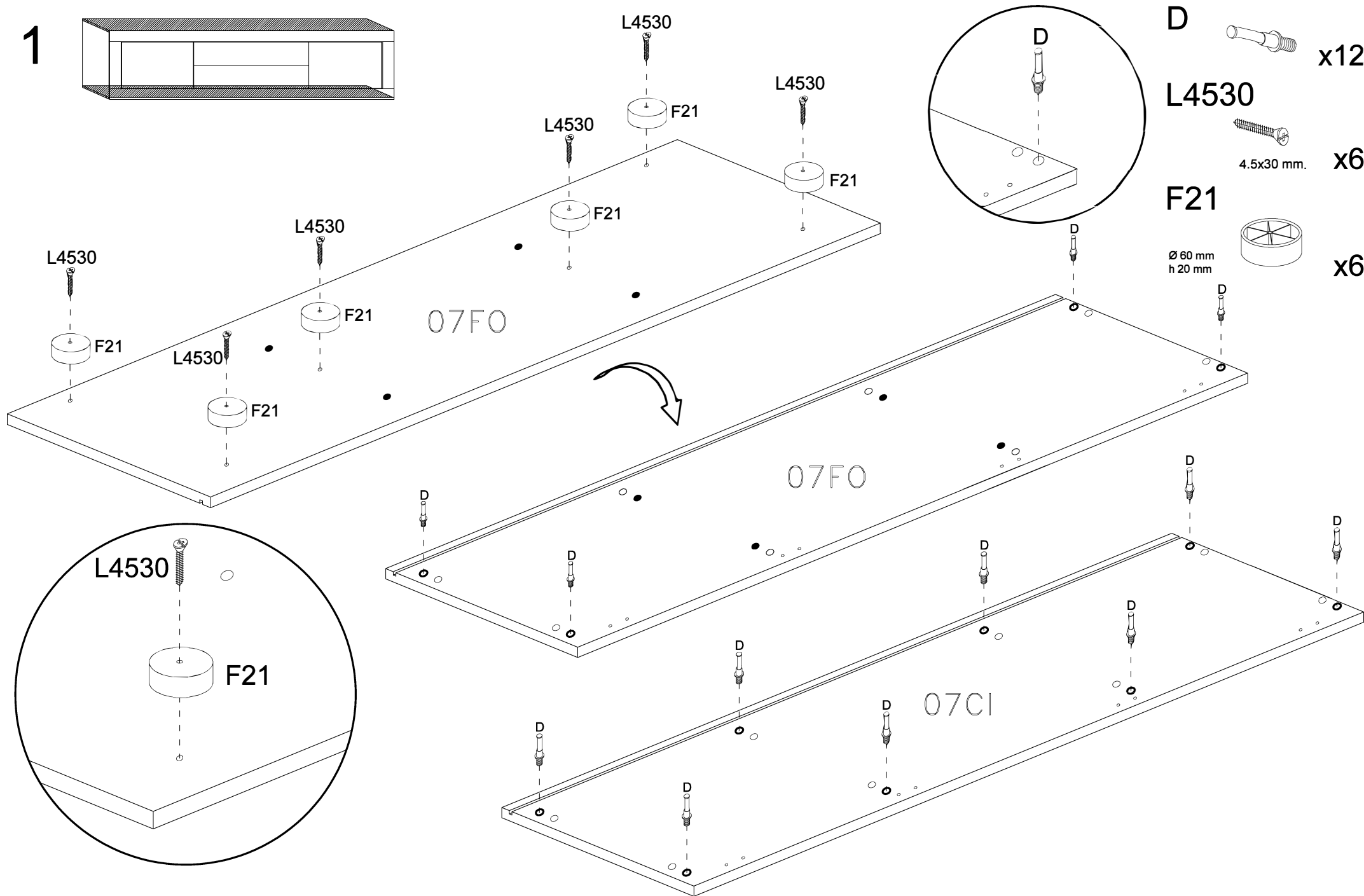
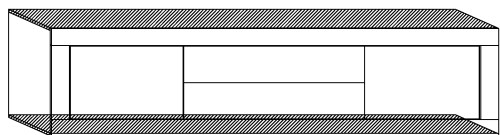
**201502-07CC**  
**L415**  **4x15 mm.** **x8**  
**H2E**  **x4**  
**CC**  **x4**

**F21** **205124-06PIE**  **ø 60 mm** **h 20 mm** **x5**  
**209493-07GUI**  
**CL**  **x2**  
**CR**  **x2**  
**DR**  **x2**  
**DL**  **x2**

**509080-02CM**  
**L3516**  **3.5x16 mm.** **x8**  
**MAN**  **x4**

**T**  **x1**  
**L418**  **4x18 mm.** **x1**

1



D



x12

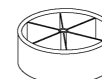
L4530



4.5x30 mm.

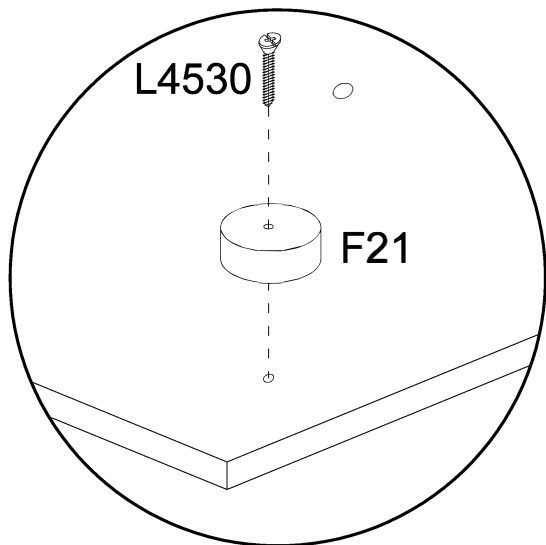
x6

F21

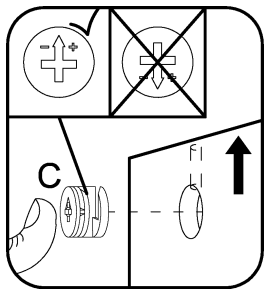


Ø 60 mm  
h 20 mm

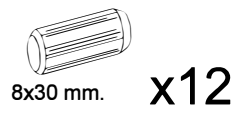
x6



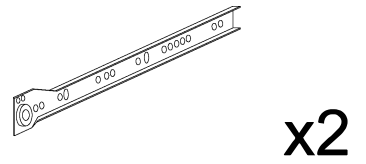
2



B



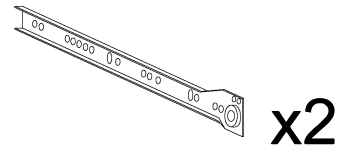
CL



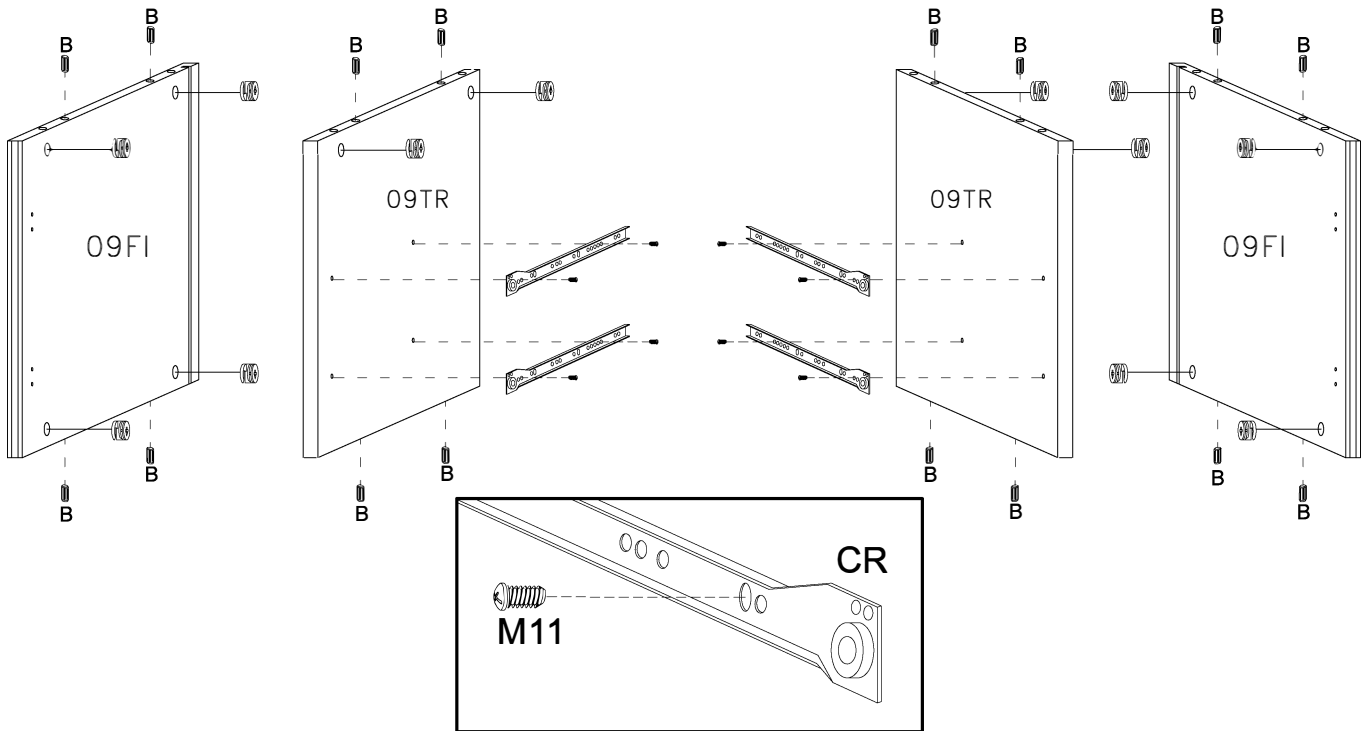
C



CR

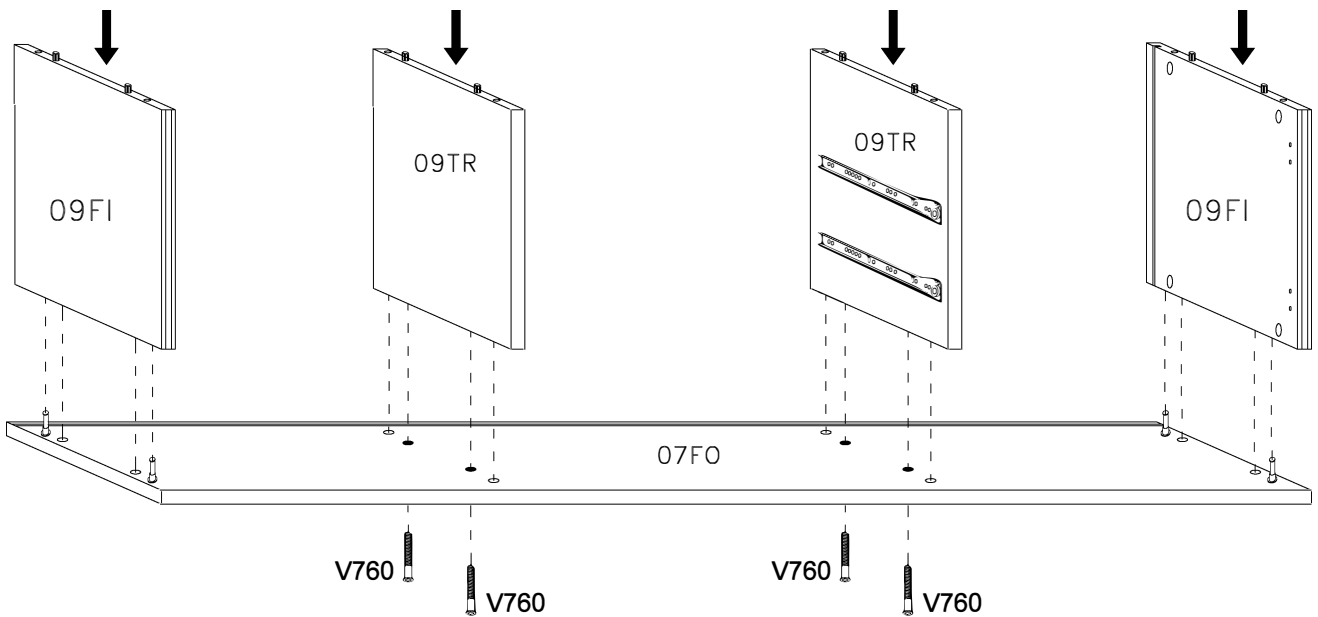


M11

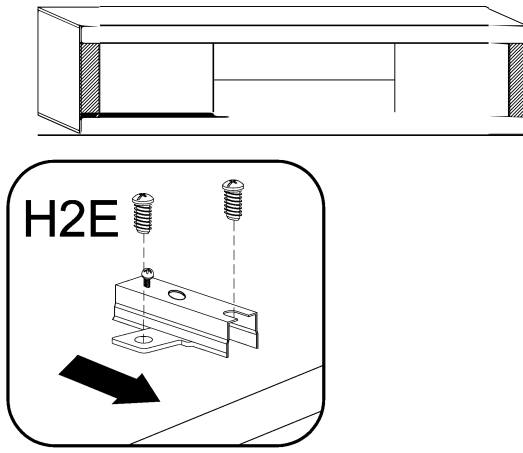
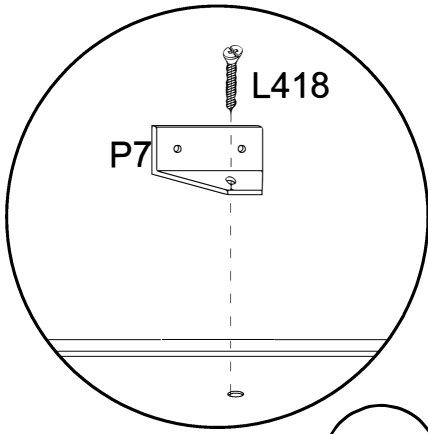


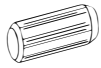

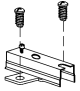
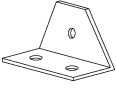
3

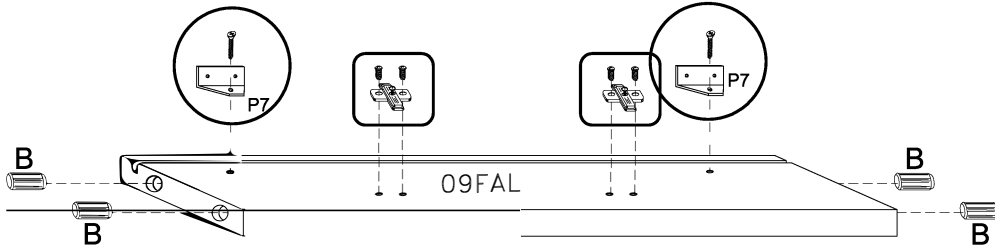
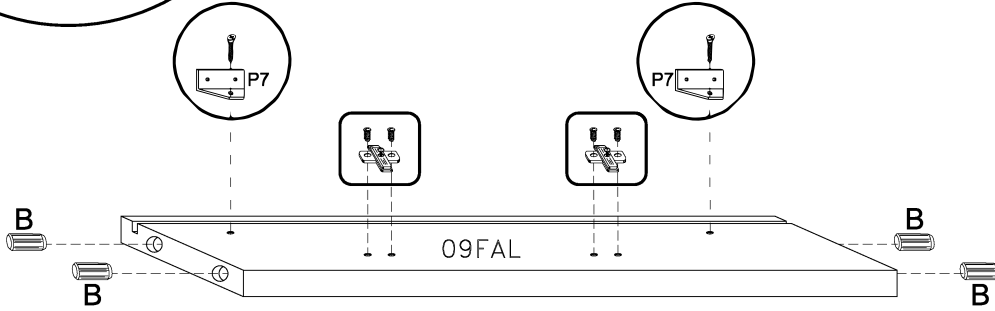
V760



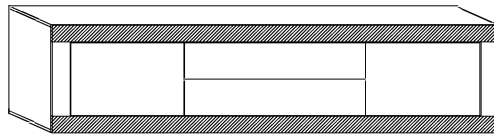
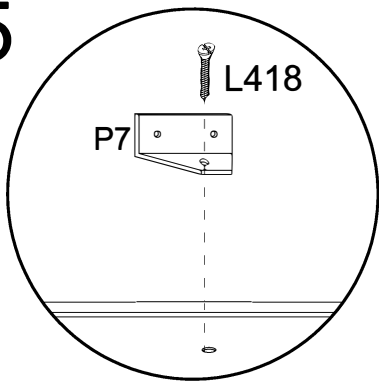
4


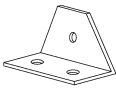


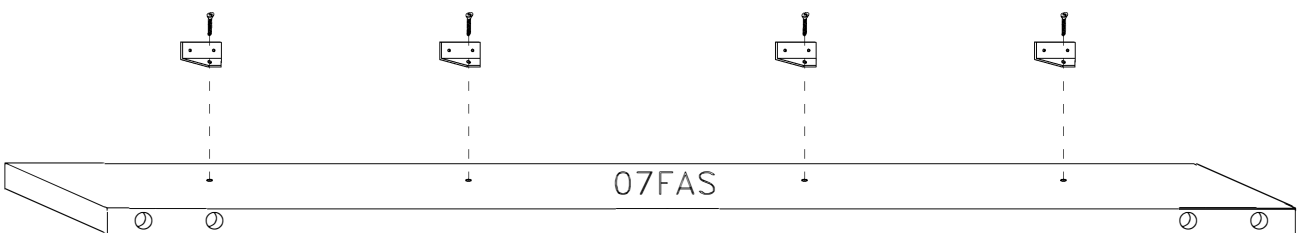
- B  8x30 mm. x8
- L418  4x18 mm. x4
- H2E  x4
- P7  x4



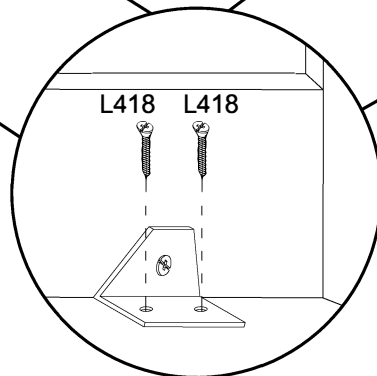
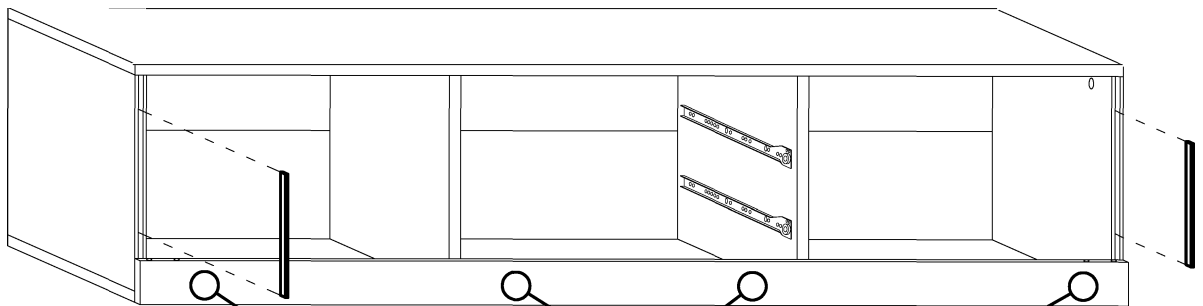
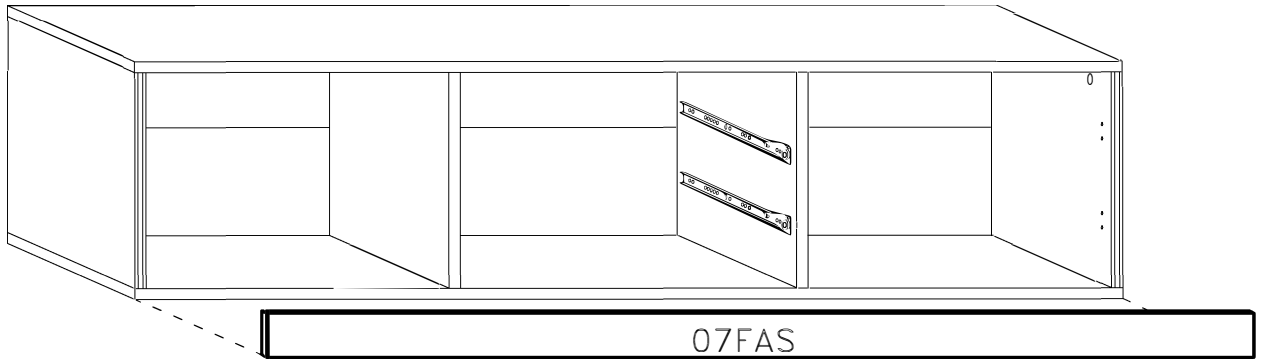
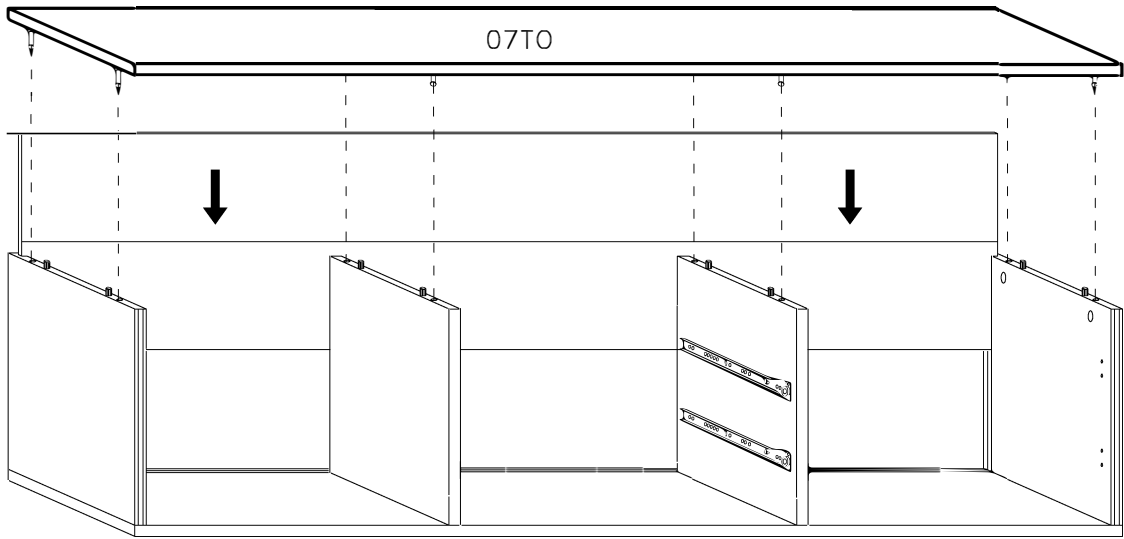
5




- L418  4x18 mm. x8
- P7  x8



6

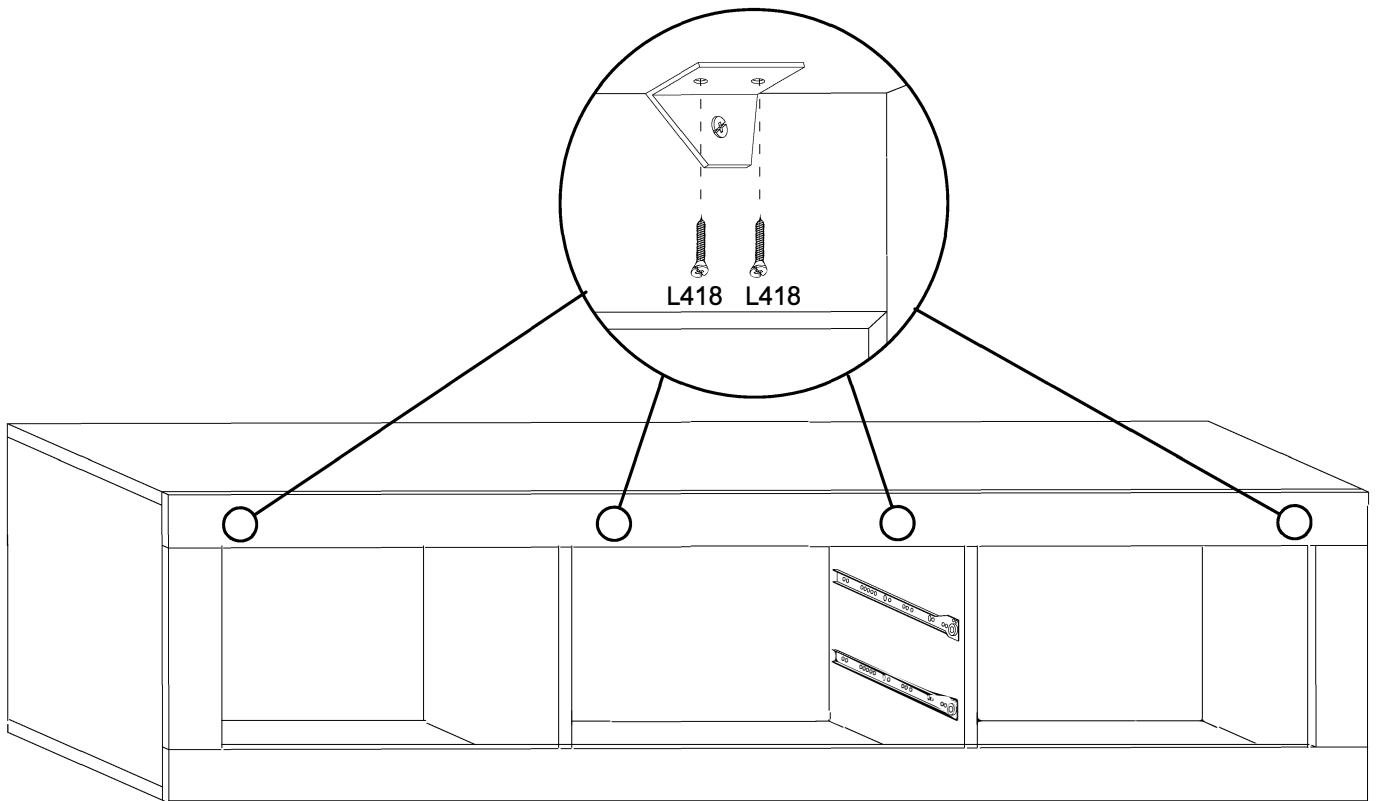
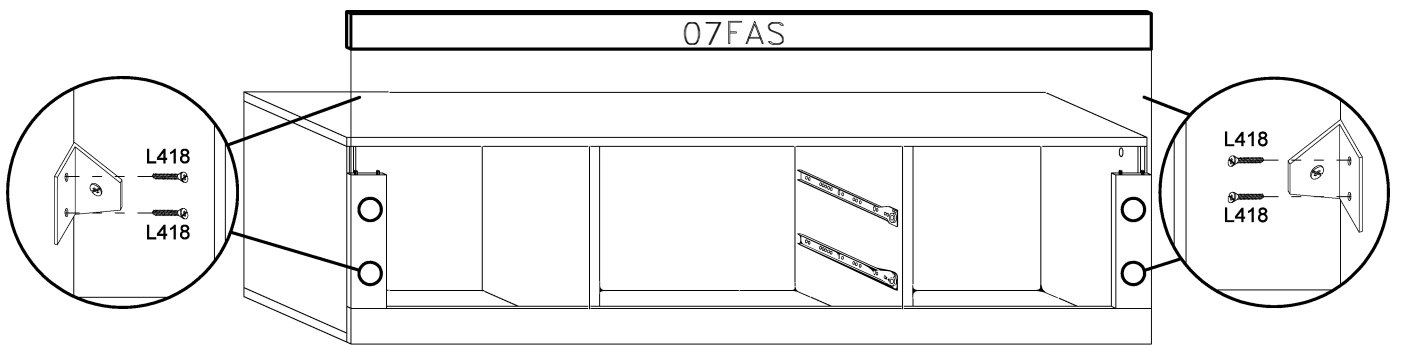
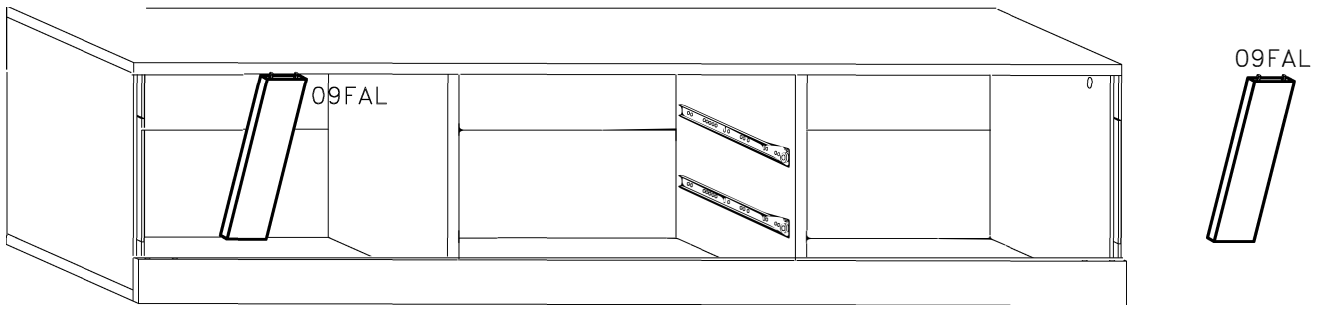


L418  4x18 mm. X8

7

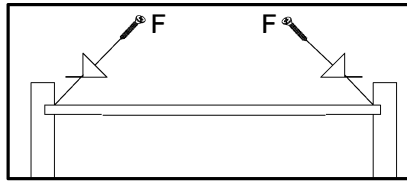
L418 

4x18 mm. X16

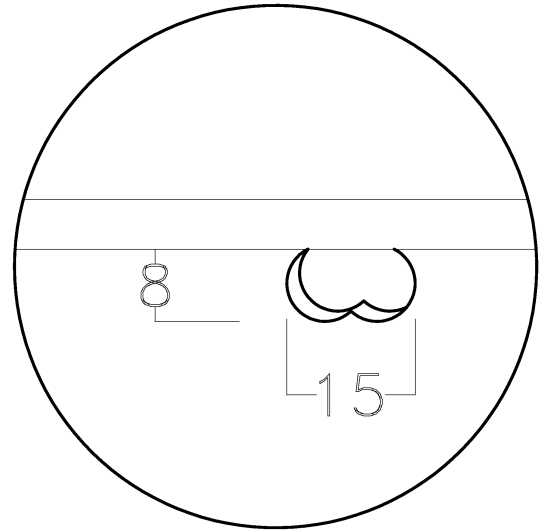
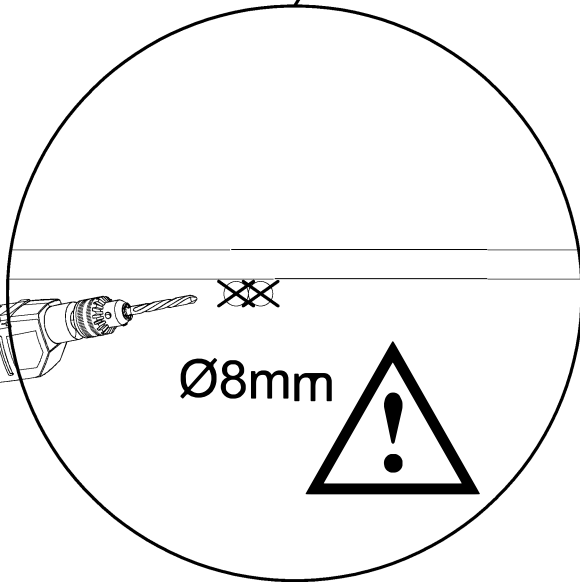
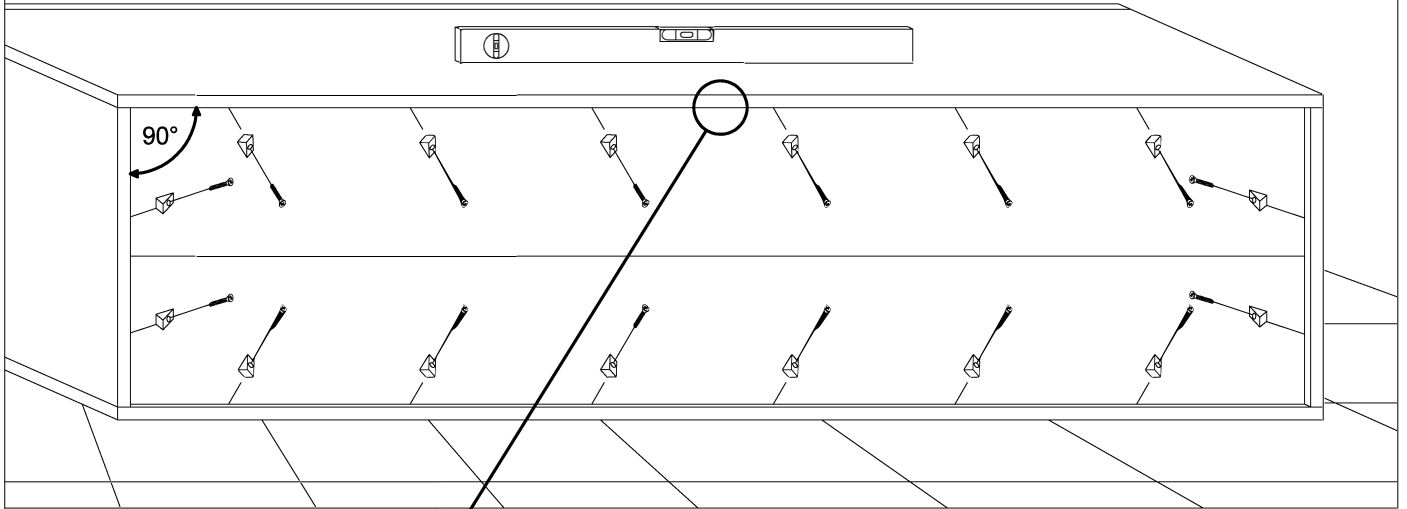




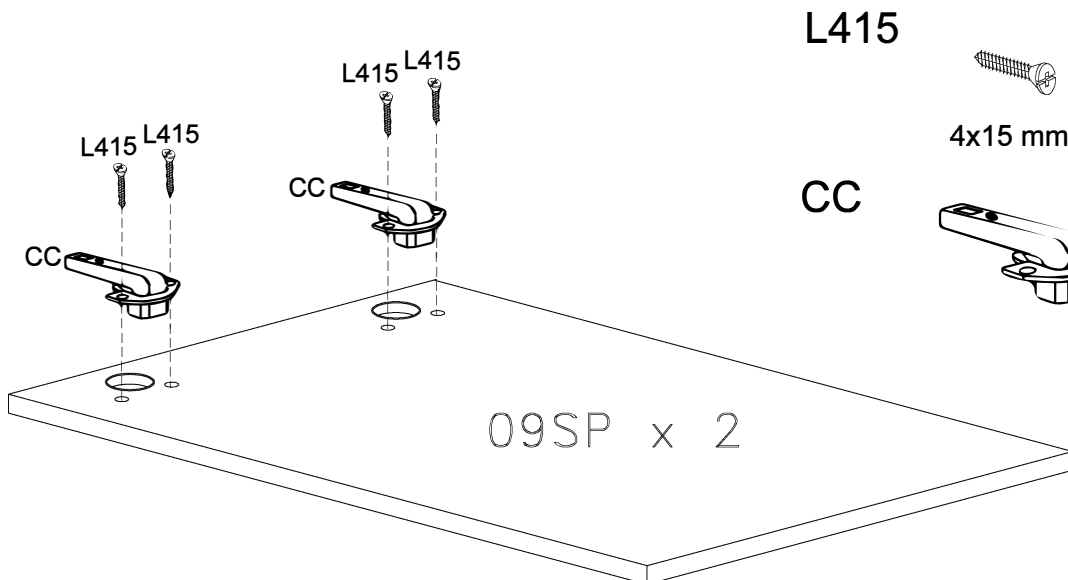
8



x18



9



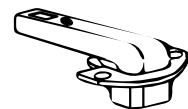
L415



4x15 mm.

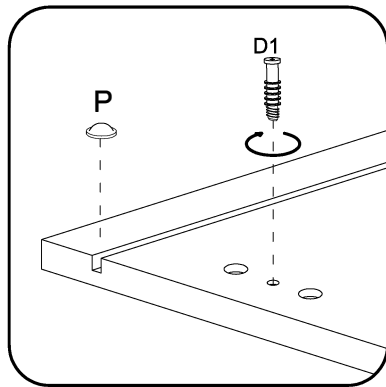
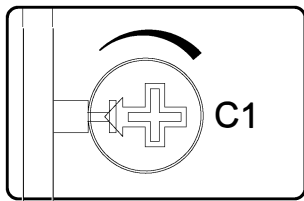
x8

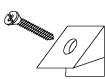


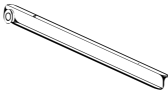
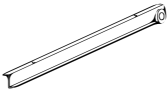




CC

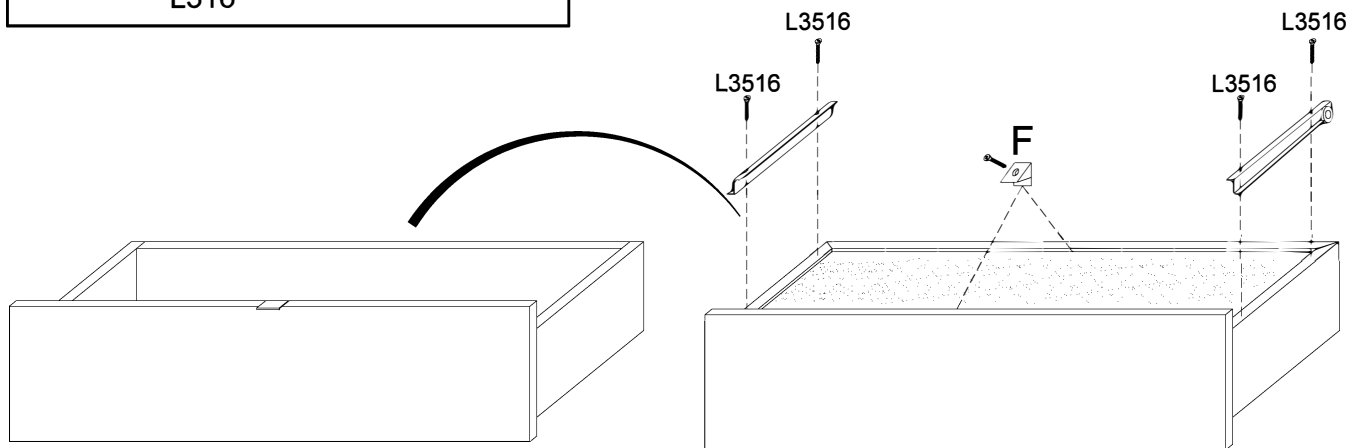
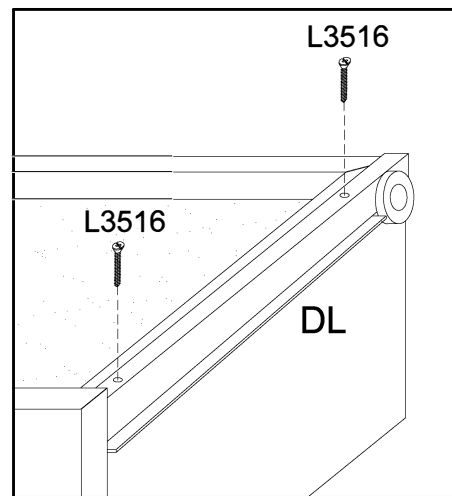
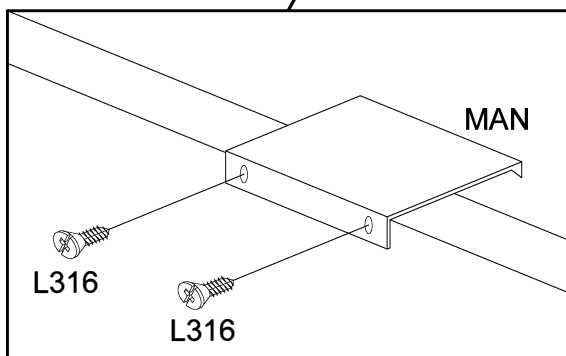
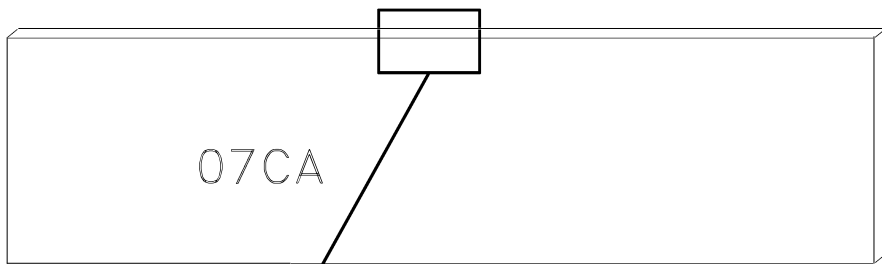
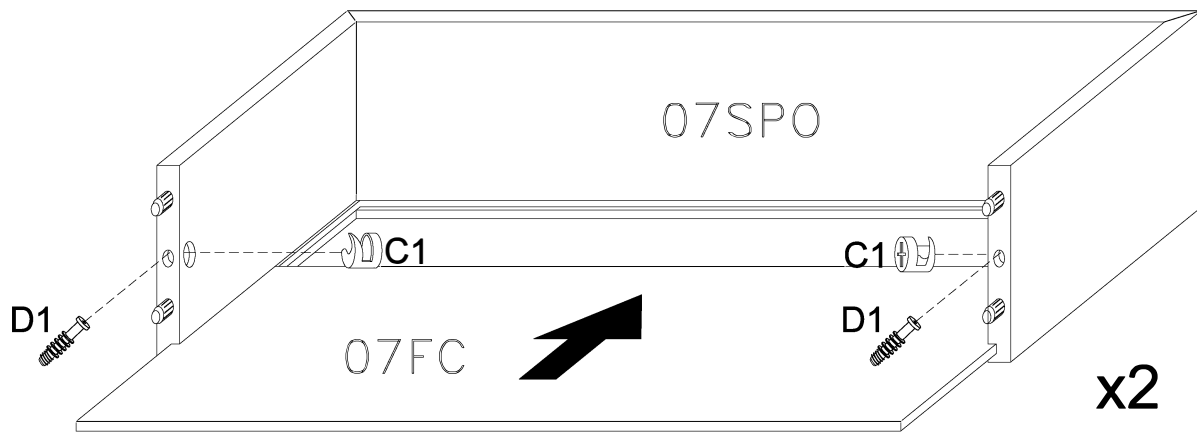


x4

# 10



- F  x4
- C1  x4
- D1  x4
- DR  x2
- DL  x2
- L3516  x4
- 3.5x16 mm.  x12
- MAN  x2
- P  x4



11

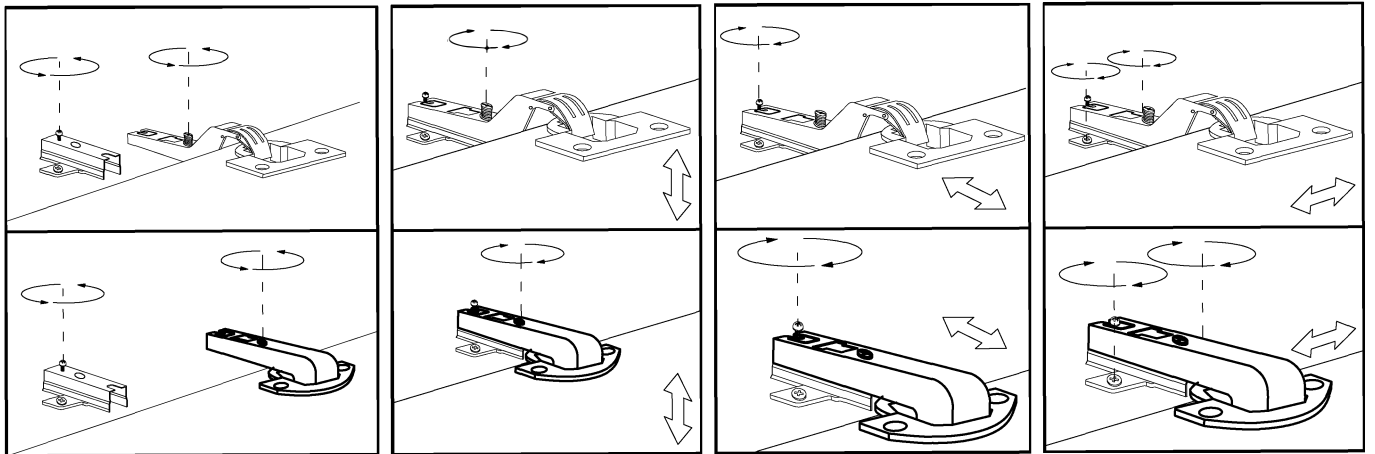
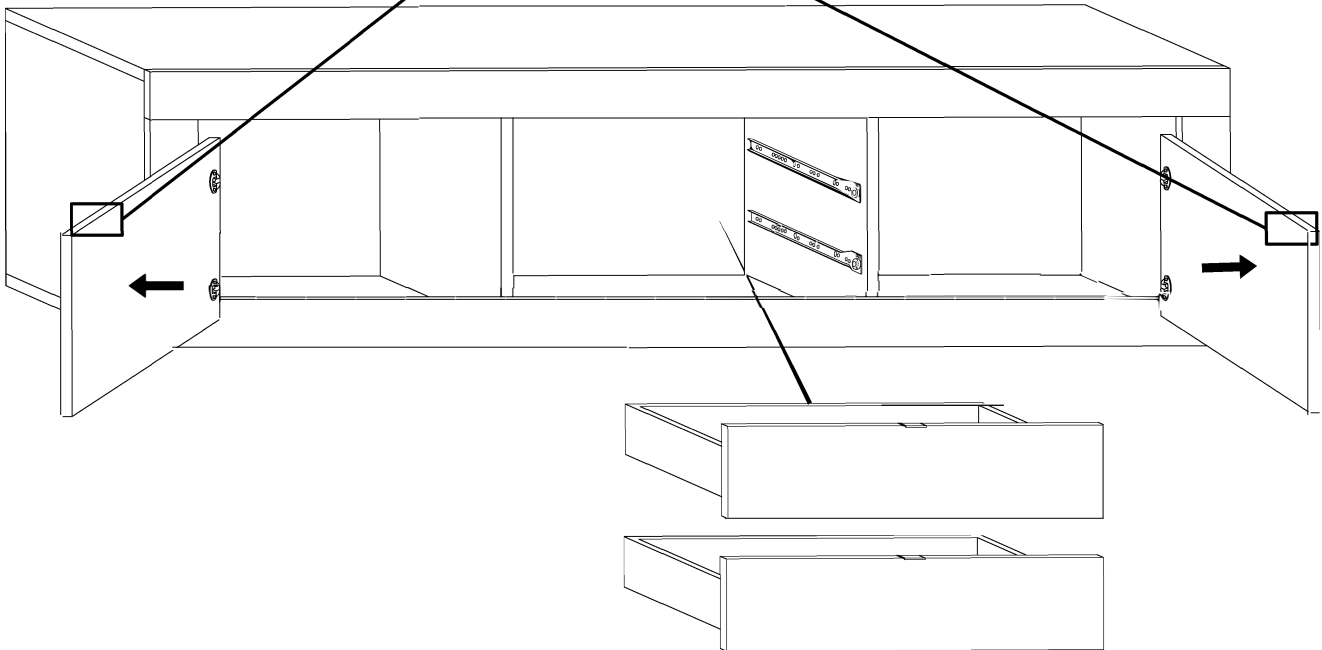
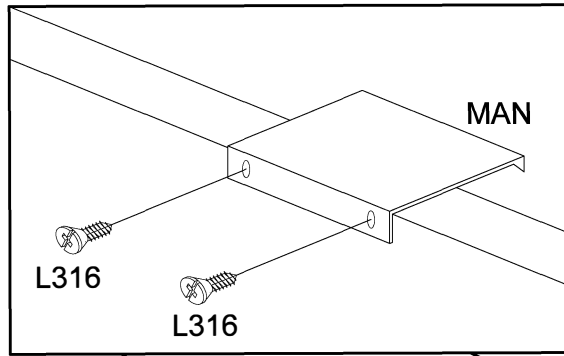
L3516 

3.5x16 mm. x4

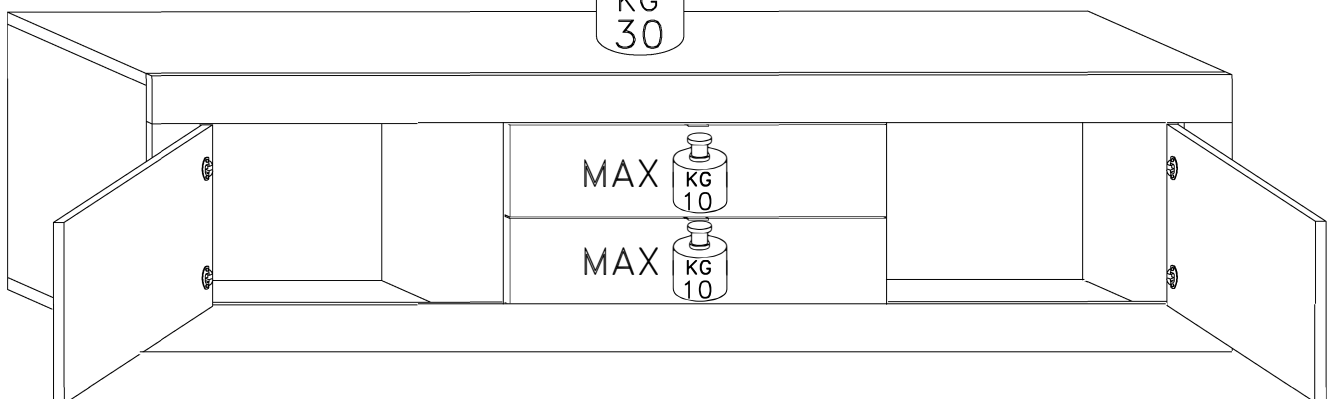
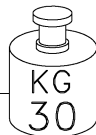
MAN



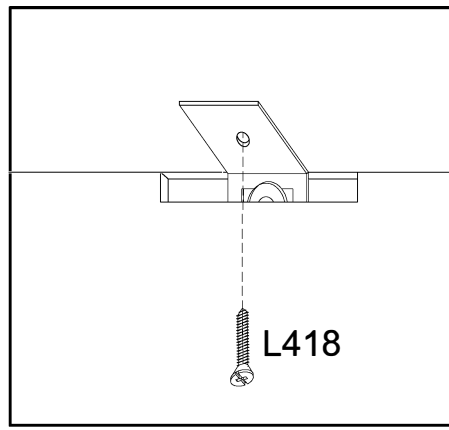
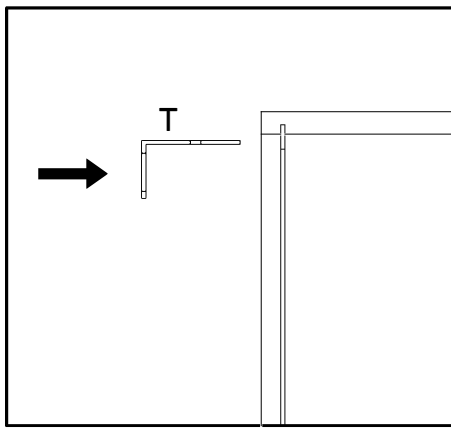
x2



MAX



12



T



x1

L418



x1

4x18 mm.

